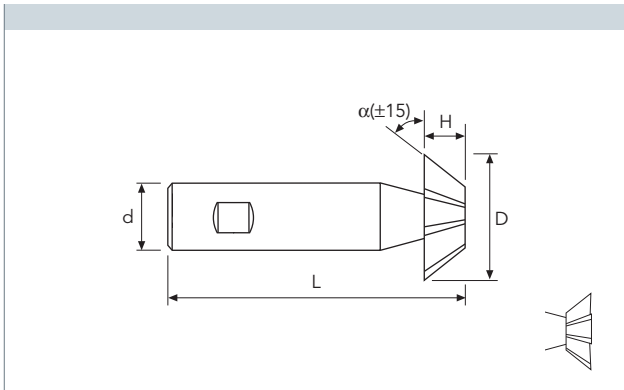




DIN 1833

WDC45 - WDC60 - WDD45 - WDD60 (js16)

Ø mm	~18	20~30	32~38
tol. D mm	±0.65	±0.65	±0.80



HSS/Co	HSS/Co	HSS/Co	HSS/Co
BR	BR	BR	BR
N	N	N	N
α 45°	α 60°	α 45°	α 60°

D(js16)	d(h6)	H	L	Z	Stock	Stock	Stcok	Stock
mm 16	12	4	60	6	●		●	
20	12	5	63	6	●		●	
22	12	6	67	6	●		●	
25	16	6.3	67	8	●		●	
28	16	7.5	67	8	●		●	
32	16	8	71	10	●		●	
38	16	10	80	12	○		○	
mm 16	12	6.3	60	6		●		●
20	12	8	63	6		●		●
22	12	9	67	6		●		●
25	16	10	67	8		●		●
28	16	11	67	8		●		●
32	16	12.5	71	10		●		●
38	16	16	80	12		○		○

● stock standard ○ non-standard stock ■ stock exhaustion

- TYPHOON
- C-SD-TA
- LFTA
- SUTA
- HSS-HSS/CO DRILLS
- UH RED
- MEX ORANGE
- HF EVO
- MEF ENDLESS
- ALU
- MDC
- G2
- MDTA
- ULTRA MILLS
- HSS/CO
- CARBIDE BURRS
- PARAMETERS