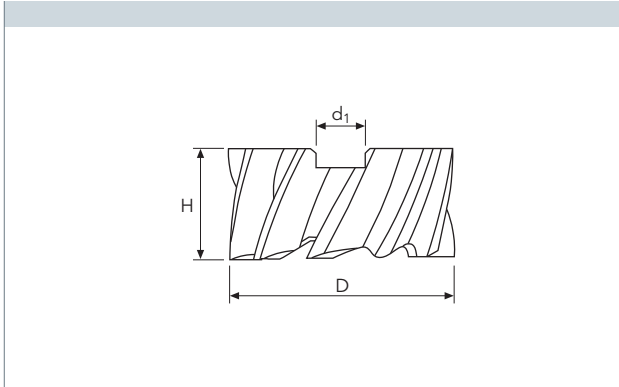
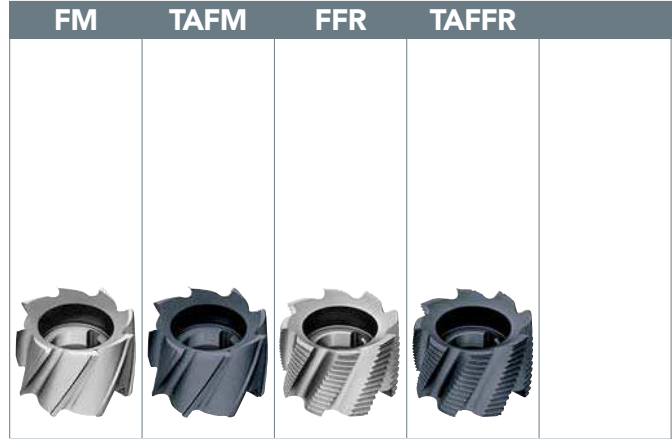


**n** **Vf**  
PAGE 305-306

**DIN 1880**

**FM - TAFM - FFR - TAFFR**

tol. D mm	+0.25 / -0.15
tol. d1 mm	+0.02 / -0
tol. H mm	+0.5 / -0



	FM	TAFM	FFR	TAFFR
Flute Design	Z8-Z14	Z8-Z14	Z6-Z12	Z6-Z12
Material	HSS/Co	HSS/Co	HSS/Co	HSS/Co
Coating	BR	PV200	BR	PV200
Flute Type	N	N	HR FINE	HR FINE
Flute Angle	30°	30°	30°	30°
Stock	● (Z8)	● (Z8)	● (Z6)	● (Z6)
	○ (Z10)	○ (Z10)	○ (Z10)	○ (Z10)
	○ (Z14)	○ (Z14)	○ (Z12)	○ (Z12)

D	d1	H
mm 40	16	32
50	22	36
63	27	40
80	27	45
100	32	50
160	50	63

● stock standard ○ non-standard stock ■ stock exhaustion

- TYPHOON
- C-SD-TA
- LFTA
- SUTA
- HSS-HSS/CO DRILLS
- UH RED
- MEX ORANGE
- HF EVO
- MEF ENDLESS
- ALU
- MDC
- G2
- MDTA
- ULTRA MILLS
- HSS/CO
- CARBIDE BURRS
- PARAMETERS