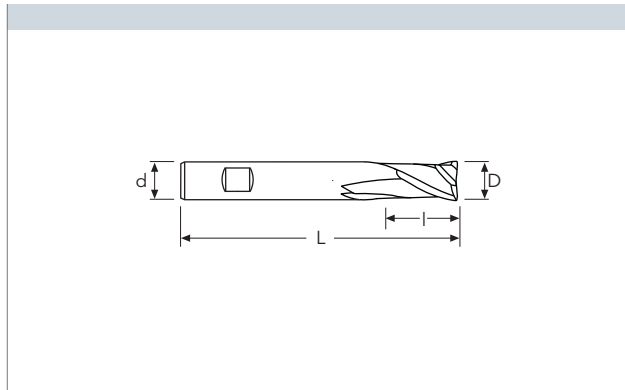
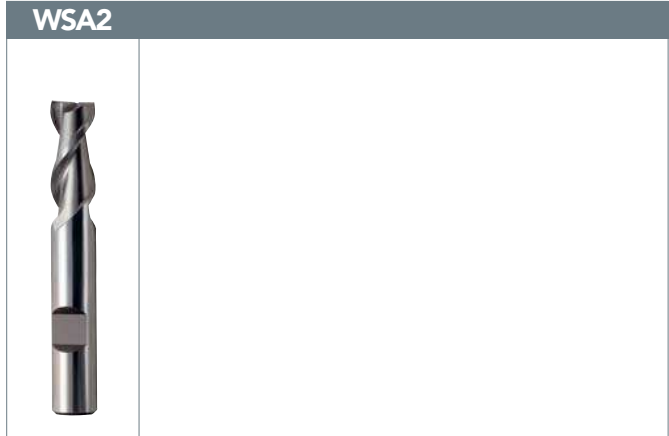



 PAGE 304

DIN
844

WSA2

Ø mm	3~6	7~10	12~18	20~25
tol.D µ	±60	±75	±90	±105



D(e8)	d(h6)	l	L	Stock
mm 2	6	7	51	●
2.5	6	8	52	●
3	6	8	52	●
4	6	11	55	●
5	6	13	57	●
6	6	13	57	●
8	10	19	69	●
10	10	22	72	●
12	12	26	83	●
14	12	26	83	●
16	16	32	92	●
18	16	32	92	●
20	20	38	104	●

● stock standard ○ non-standard stock ■ stock exhaustion