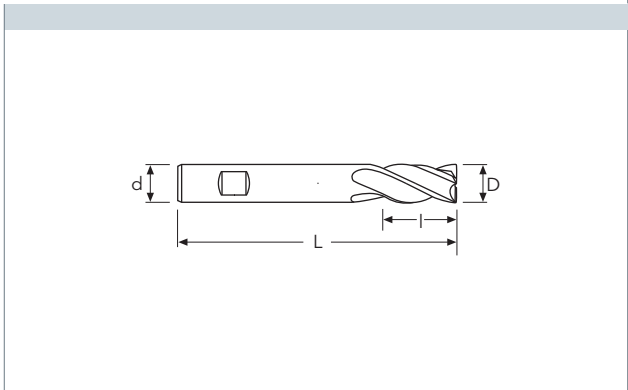


n **Vf**
PAGE 299

DIN 844

UMWS4

UMWS4	
Ø mm	1-20
tol. D µ	0 / +30



Z4

HSS-P
PV200

UM

30°

D	d(h6)	l	L	Stock
mm 3	6	8	52	●
4	6	11	55	●
5	6	13	57	●
6	6	13	57	●
8	10	19	69	●
10	10	22	72	●
12	12	26	83	●
14	12	26	83	●
16	16	32	92	●
18	16	32	92	●
20	20	38	104	●

● stock standard ○ non-standard stock ■ stock exhaustion

- TYPHOON
- C-SD-TA
- LFTA
- SUTA
- HSS-HSS/CO DRILLS
- UH RED
- MEX ORANGE
- HF EVO
- MEF ENDLESS
- ALU
- MDC
- G2
- MDTA
- ULTRA MILLS**
- HSS/CO
- CARBIDE BURRS
- PARAMETERS