

n **Vf**
PAGE 294

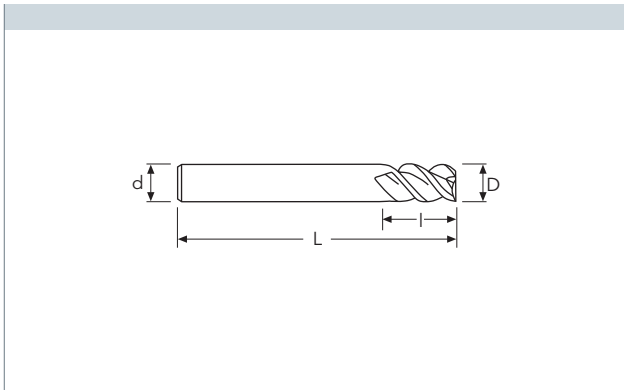
**OSAWA
NORM**

GB305 - G2CSH3

Ø mm	-6	6.5~12	13~20
tol. D µ	0 / -20	0 / -25	0 / -30

G2310 - G2311 - G2312

Ø mm	-6	6.5~12	13~20
tol. D µ	0 / -30	0 / -35	0 / -40



MG	MG	MG	MG	MG
BR	PV200	PV200	PV200	PV200
N	N	N	N	N

D	d	l	L	Stock	Stock	Stock	Stock	Stock
mm 12	12	50	150					●
14	14	26	83		●			
16	16	32	92		●			
16	16	70	150					●
18	20	40	100		○			
18	20	80	150					●
20	20	40	100		●			
20	20	80	150					●

● stock standard ○ non-standard stock ■ stock exhaustion

TYPHOON

C-SD-TA

LFTA

SUTA

HSS-HSS/CO DRILLS

UH RED

MEX ORANGE

HF EVO

MEF ENDLESS

ALU

MDC

G2

MDTA

ULTRA MILLS

HSS/CO

CARBIDE BURRS

PARAMETERS