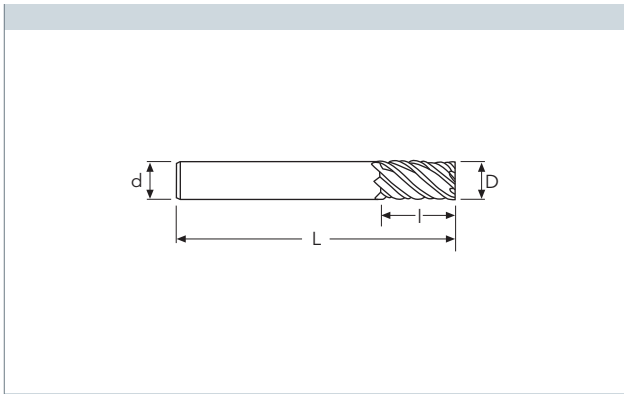
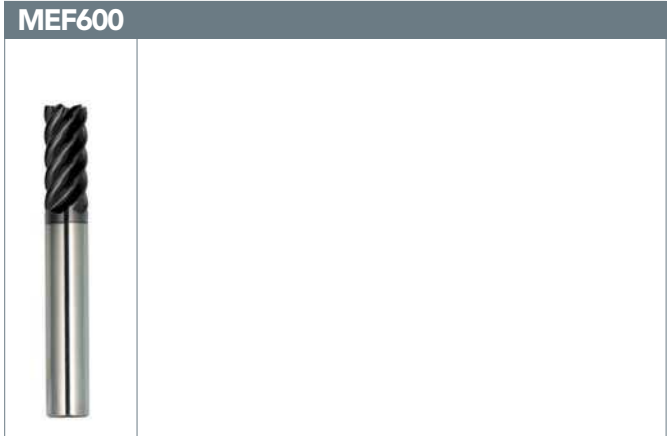


  
 PAGE 287

OSAWA  
NORM

MEF600

Ø mm	6~20
tol. D µ	0 / -30



  
 Z6-Z8  
  
 UMG  
 ENDLESS  
  
 VA  
  
 50°

D	d(h6)	l	L	Z
mm 6	6	13	57	6
8	8	19	63	6
10	10	22	72	6
12	12	26	83	6
16	16	32	92	6
20	20	38	104	8

Stock
●
●
●
●
●
●

● stock standard   ○ non-standard stock   ■ stock exhaustion

- TYPHOON
- C-SD-TA
- LFTA
- SUTA
- HSS-HSS/CO DRILLS
- UH RED
- MEX ORANGE
- HF EVO
- MEF ENDLESS
- ALU
- MDC
- G2
- MDTA
- ULTRA MILLS
- HSS/CO
- CARBIDE BURRS
- PARAMETERS