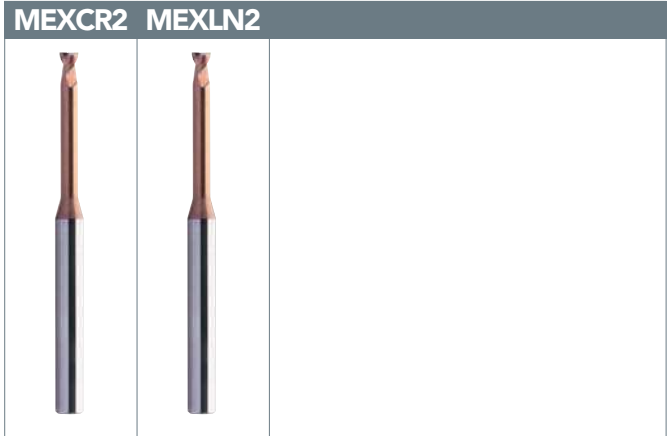


PAGE 273~275

OSAWA
NORM

NEW

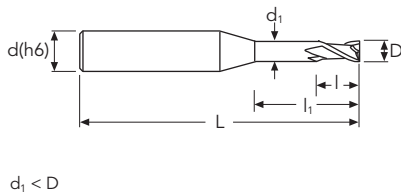


MEXCR2

Ø mm	~6
tol. D µ	0 / -12

MEXLN2

Ø mm	~0.8	≥0.8
tol. D µ	0 / -12	0 / -20



D	d	l	l1	L	Stock	Stock
0.9	4	1.4	6	50		●
0.9	4	1.4	8	50		●
0.9	4	1.4	10	50		●
0.9	4	1.4	15	45	■	
0.9	4	1.4	15	50		●
1	4	1.5	6	45	●	
1	4	1.5	6	50		●
1	4	1.5	8	45	●	
1	4	1.5	8	50		●
1	4	1.5	10	50		●
1	4	1.5	12	45	●	
1	4	1.5	12	50		●
1	4	1.5	14	50		●
1	4	1.5	16	50	■	
1	4	1.5	16	50		●
1	4	1.5	20	55	■	
1.2	4	1.8	6	50		●
1.2	4	1.8	8	50		●
1.2	4	1.8	10	50		●
1.2	4	1.8	12	45	■	
1.2	4	1.8	12	50		●
1.2	4	1.8	16	50	■	
1.4	4	2.1	6	50		●
1.4	4	2.1	8	50		●
1.4	4	2.1	10	50		●
1.4	4	2.1	12	45	■	
1.4	4	2.1	12	50		●
1.4	4	2.1	14	50		○
1.4	4	2.1	16	50	■	●
1.5	4	2.3	6	50		●
1.5	4	2.3	8	45	●	
1.5	4	2.3	8	50		●
1.5	4	2.3	10	45	●	
1.5	4	2.3	10	50		●
1.5	4	2.3	12	45	●	
1.5	4	2.3	12	50		●
1.5	4	2.3	14	50		●

● stock standard ○ non-standard stock ■ stock exhaustion

- TYPHOON
- C-SD-TA
- LFTA
- SUTA
- HSS-HSS/CO DRILLS
- UH RED
- MEX ORANGE
- HF EVO
- MEF ENDLESS
- ALU
- MDC
- G2
- MDTA
- ULTRA MILLS
- HSS/CO
- CARBIDE BURRS
- PARAMETERS