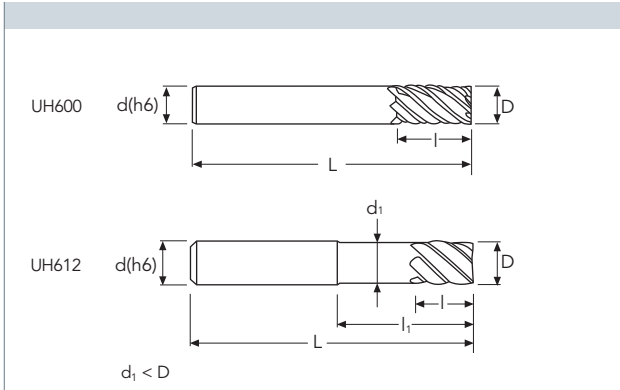


	<b>OSAWA NORM</b>
PAGE 266	

UH600- UH612

Ø mm	~20
tol. D µ	0 / -20



<b>NMG</b> <b>UH RED</b>	<b>NMG</b> <b>UH RED</b>

D	d	l	l1	L	Stock	Stock
<b>mm</b> 3	6	8		50	●	
3	6	19	30	75		●
4	6	11		50	●	
4	6	19	32	75		●
5	6	13		50	●	
5	6	19	32	75		●
6	6	20		60	●	
6	6	38	60	100		●
8	8	20		64	●	
8	8	41	60	100		●
10	10	22		70	●	
10	10	57	85	125		●
12	12	25		75	●	
12	12	75	110	150		●
14	14	30		90	●	
16	16	30		90	●	
16	16	75	110	150		●
20	20	38		100	●	

● stock standard ○ non-standard stock ■ stock exhaustion

- TYPHOON
- C-SD-TA
- LFTA
- SUTA
- HSS-HSS/CO DRILLS
- UH RED**
- MEX ORANGE
- HF EVO
- MEF ENDLESS
- ALU
- MDC
- G2
- MDTA
- ULTRA MILLS
- HSS/CO
- CARBIDE BURRS
- PARAMETERS