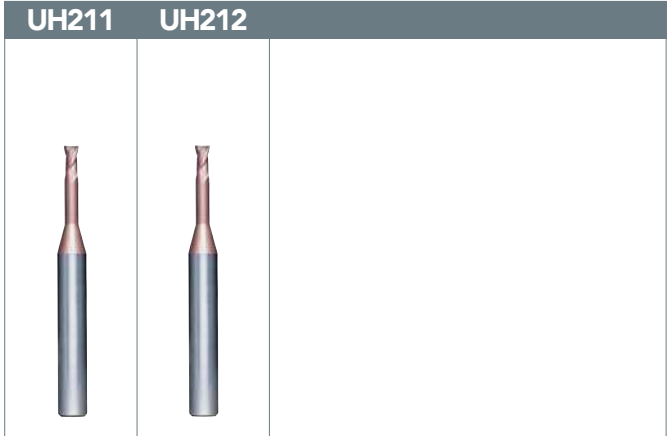


**n** **Vf**  
PAGE  
261~263

**OSAWA  
NORM**

**NEW**

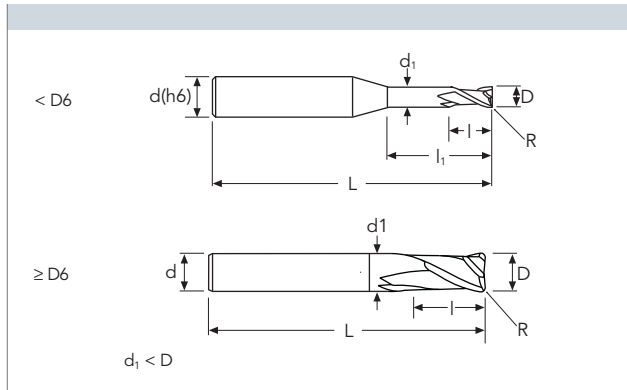


**UH211**

Ø mm	~6	>6
tol. D µ	0 / -12	0 / -15
tol. R µ	±10	±15

**UH212**

Ø mm	~0.8	≥0.8
tol. D µ	0 / -12	0 / -20
tol. R µ	±10	±10



<b>NMG</b> <b>UH RED</b>	<b>NMG</b> <b>UH RED</b>

D	d	l	l1	L	Stock	Stock
mm 4 R1.0	6	6	16	55	●	
6 R0.5	6	9	15	60	●	
6 R1	6	9	15	60	●	
6 R2	6	9	15	60	●	
8 R0.5	8	12	20	65	●	
8 R1	8	12	20	65	●	
8 R2	8	9	25	60	●	
10 R0.5	10	15	25	70	●	
10 R1	10	15	25	70	●	
10 R2	10	15	25	70	●	
12 R0.5	12	18	30	80	●	
12 R1	12	18	30	80	●	
12 R2	12	18	30	80	●	

● stock standard ○ non-standard stock ■ stock exhaustion