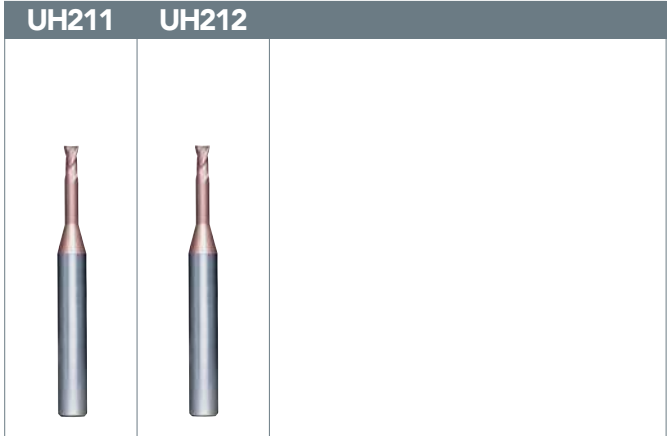


**n** **Vf**  
PAGE  
261~263

**OSAWA  
NORM**

**NEW**

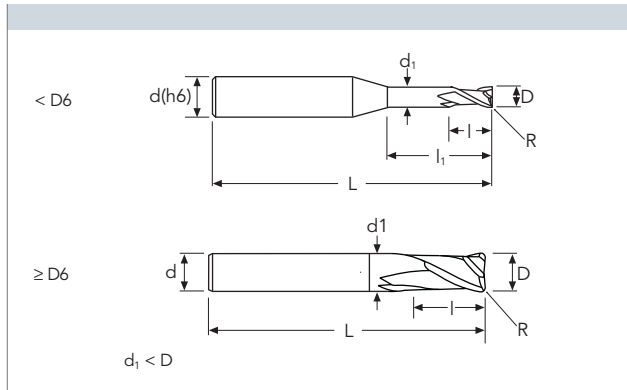


**UH211**

Ø mm	~6	>6
tol. D µ	0 / -12	0 / -15
tol. R µ	±10	±15

**UH212**

Ø mm	~0.8	≥0.8
tol. D µ	0 / -12	0 / -20
tol. R µ	±10	±10




D	d	l	l1	L	Stock	Stock
1.5 R0.2	4	2.5	12	50	●	
1.5 R0.3	4	2.5	4	50	■	
1.5 R0.3	4	2.5	8	50	■	
1.6 R0.15	4	2.4	6	50		●
1.6 R0.15	4	2.4	8	50		●
1.6 R0.15	4	2.4	10	50		●
1.6 R0.15	4	2.4	12	50		●
1.6 R0.15	4	2.4	14	50		○
1.6 R0.15	4	2.4	16	50		●
1.6 R0.15	4	2.4	18	60		○
1.6 R0.15	4	2.4	20	60		●
1.8 R0.2	4	2.7	6	50		●
1.8 R0.2	4	2.7	8	50		●
1.8 R0.2	4	2.7	10	50		●
1.8 R0.2	4	2.7	12	50		●
1.8 R0.2	4	2.7	14	50		○
1.8 R0.2	4	2.7	16	50		●
1.8 R0.2	4	2.7	18	60		○
1.8 R0.2	4	2.7	20	60		●
2 R0.1	4	3	6	50	●	
2 R0.1	4	3	12	50	●	
2 R0.2	4	3	6	50	●	
2 R0.2	4	3	8	50		●
2 R0.2	4	3	10	50		●
2 R0.2	4	3	12	50	●	●
2 R0.2	4	3	14	50		○
2 R0.2	4	3	16	50		●
2 R0.2	4	3	18	60		○
2 R0.2	4	3	20	60		●
2 R0.2	4	3	25	75		●
2 R0.2	4	3	30	75		●
2 R0.3	4	3	8	50	●	
2 R0.3	4	3	12	50	●	
2 R0.3	4	3	16	50	●	
2 R0.5	4	3	6	50	●	
2 R0.5	4	3	12	50	●	

● stock standard ○ non-standard stock ■ stock exhaustion