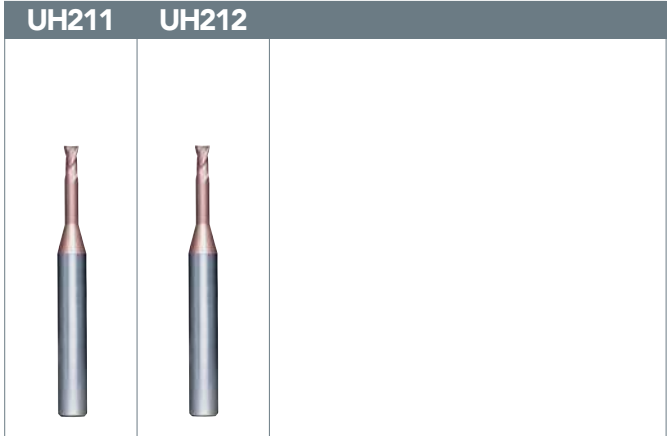




NEW

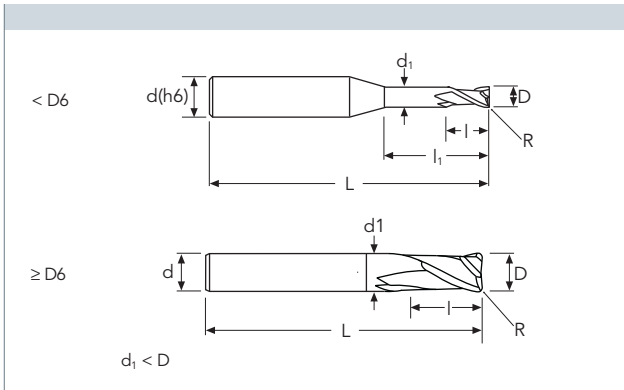


UH211

Ø mm	~6	>6
tol. D µ	0 / -12	0 / -15
tol. R µ	±10	±15

UH212

Ø mm	~0.8	≥0.8
tol. D µ	0 / -12	0 / -20
tol. R µ	±10	±10



D	d	l	l1	L	Stock	Stock
0.9	R0.08	4	1.4	8	50	●
0.9	R0.08	4	1.4	10	50	●
0.9	R0.08	4	1.4	15	50	●
1	R0.1	4	2	4	50	●
1	R0.1	4	2	6	50	●
1	R0.1	4	2	8	50	●
1	R0.1	4	1.5	10	50	●
1	R0.1	4	1.5	12	50	●
1	R0.1	4	1.5	14	50	○
1	R0.1	4	1.5	16	50	●
1	R0.2	4	2	4	50	●
1	R0.2	4	2	8	50	●
1	R0.3	4	2	4	50	●
1	R0.3	4	2	8	50	●
1.2	R0.1	4	1.8	6	50	●
1.2	R0.1	4	1.8	8	50	●
1.2	R0.1	4	1.8	10	50	●
1.2	R0.1	4	1.8	12	50	●
1.4	R0.15	4	2.1	6	50	●
1.4	R0.15	4	2.1	8	50	●
1.4	R0.15	4	2.1	10	50	●
1.4	R0.15	4	2.1	12	50	●
1.4	R0.15	4	2.1	14	50	○
1.4	R0.15	4	2.1	16	50	●
1.5	R0.1	4	2.5	6	50	●
1.5	R0.1	4	2.5	10	50	●
1.5	R0.15	4	2.3	6	50	●
1.5	R0.15	4	2.3	8	50	●
1.5	R0.15	4	2.3	10	50	●
1.5	R0.15	4	2.3	12	50	●
1.5	R0.15	4	2.3	14	50	○
1.5	R0.15	4	2.3	16	50	●
1.5	R0.15	4	2.3	18	60	○
1.5	R0.15	4	2.3	20	60	●
1.5	R0.2	4	2.5	4	50	■
1.5	R0.2	4	2.5	8	50	●

● stock standard ○ non-standard stock ■ stock exhaustion

- TYPHOON
- C-SD-TA
- LFTA
- SUTA
- HSS-HSS/CO DRILLS
- UH RED
- MEX ORANGE
- HF EVO
- MEF ENDLESS
- ALU
- MDC
- G2
- MDTA
- ULTRA MILLS
- HSS/CO
- CARBIDE BURRS
- PARAMETERS