



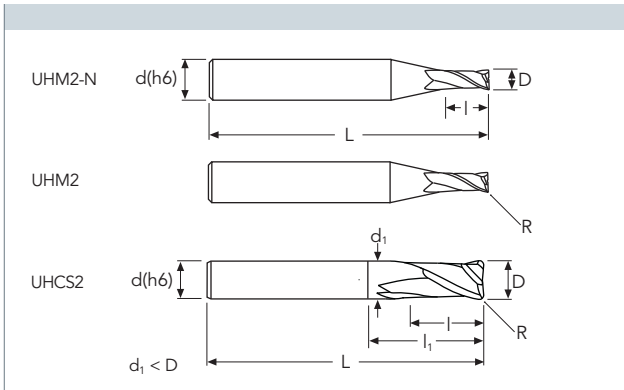
UHM2 - UHCS2

Ø mm	~6	>6
tol. D µ	0 / -12	0 / -15
tol. R µ	±10	±15

UHM2-N

Ø mm	~0.8	≥0.8
tol. D µ	0 / -12	0 / -20

NEW




D	d	l	l1	L	Stock	Stock	Stock
mm 0.1	4	0.2		40	●		
0.2	4	0.4		40	●		
0.3	4	0.6		40	●		
0.3	6	0.45		50		●	
0.4	4	0.8		40	●		
0.4	6	0.6		50		●	
0.5	4	1		40	●		
0.5 R0.05	6	0.7		50		●	
0.6	4	1.2		40	●		
0.6 R0.05	6	0.9		50		●	
0.7	4	1.4		40	●		
0.8	4	1.6		40	●		
0.8 R0.05	6	1.2		50		●	
0.9	4	1.8		40	●		
1 R0.1	4	2	3	50			●
1 R0.1	6	1.5		50		●	
1.5 R0.1	4	2.5	4	50			●
1.5 R0.15	6	2.2		50		●	
2 R0.15	6	2.2		50		●	
3 R0.1	6	4.5	8	55			●
4 R0.1	6	6	10	55			●
5 R0.2	6	6	11	50			●
6 R0.2	6	9	15	60			●
8 R0.2	8	12	20	65			●
10 R0.2	10	15	25	70			●
12 R0.3	12	18	30	80			●

● stock standard ○ non-standard stock ■ stock exhaustion

- TYPHOON
- C-SD-TA
- LFTA
- SUTA
- HSS-HSS/CO DRILLS
- UH RED
- MEX ORANGE
- HF EVO
- MEF ENDLESS
- ALU
- MDC
- G2
- MDTA
- ULTRA MILLS
- HSS/CO
- CARBIDE BURRS
- PARAMETERS